

Dear Customer:



Thank you for ordering these unique GearBlocks Sliding Bike Hooks. These sliding hooks can be used to hang bikes 1 wheel at a time or 2 at a time. They are also great for hanging up garage items like leaf blowers, weed wackers, hedge trimmers, chainsaws and more!

These sliding hooks are made to work with 1"-5/8" x 1" 5/8" strut channel which should be easy to obtain in your local area at stores like Home Depot and Ace Hardware (Typically in the electrical department). You may see trade names like Super-Strut and Unistrut. Not Sure?

More Info: <https://gear-blocks.com/sliding-bicycle-storage-rack/>

Installation video



The customer will need the following materials which can be obtained at most hardware stores or as a kit from the GearBlocks store.

- 1"-5/8" x 1" 5/8" - 12 Ga Strut Channel (10' length / cut to required length)
- Lag Screws (Low profile like Spax 5/16" x 3in or similar) at least 3 per Channel
- Flat washer 1/4" x 1", 1 per channel Lag Screw

Installation:

- You should be pretty handy, and able to use tools and find the studs in your ceiling.
- Place your lag screws about 2 feet from each end of the strut channel and 1 in the center (approximate based on your stud spacing) and secure in wooden stud.
- Insert rolling hangers
- Add end stops (User may supply bolt as stopper or purchase additional stoppers from shop.gear-blocks.com)
- Some ceilings may not be perfectly level. Use a level to determine which end should go down and install a small wood shim to correct and prevent bikes from rolling to one end.

WARNING

- Stay within the rating of the hook

Disclaimer

This is a DIY project. GearBlocksLLC is not responsible for any damage or injuries related to this product or its installation.

For Questions <mailto:brian@gear-blocks.com>

Get your 1"-5/8" x 1"-5/8" Strut Channel at local retail stores!

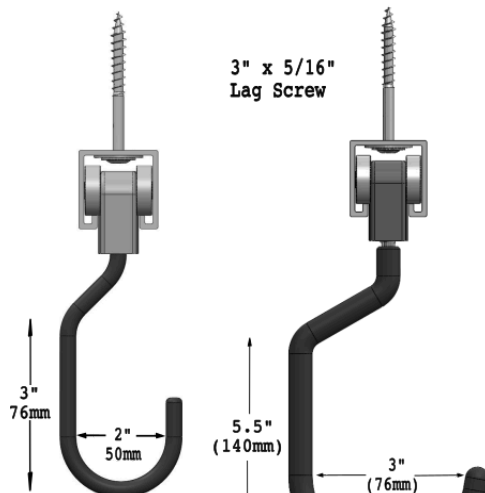
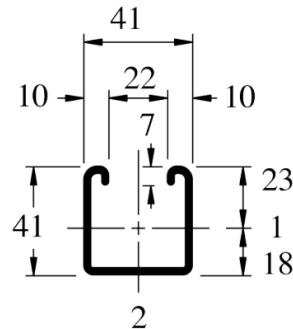
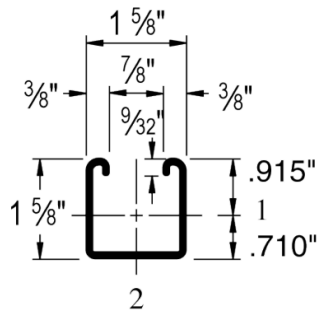
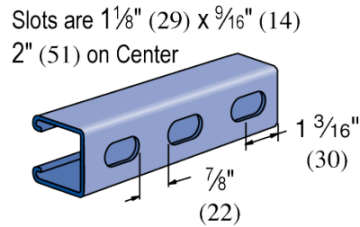
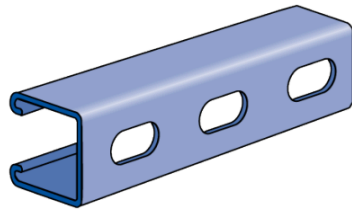
USA

- Home Depot SKU: #455470
- ACE: Item #3227543
- Grainger: FS-200SS PG - 120.00 (short slots), FS-200SL PG 120.00 (long slots)

EU

- EU: WÜRTH VARIFIX C-ASSEMBLY RAIL 41x41
- Spain: P1000THX3 <http://www.pisa-e.com/>

Common Trade Names: Unistrut, Super Strut, Rapid Strut, Varifix, P1000, P1000T



Tires up to 2.3"
Road / BMX
MTB Cross-Country
35LB. 15KG
SAFE WORKING LOAD
Standard Hook

Tires up to 3.5"
MTB
65LB. 29KG
SAFE WORKING LOAD
Large Hook